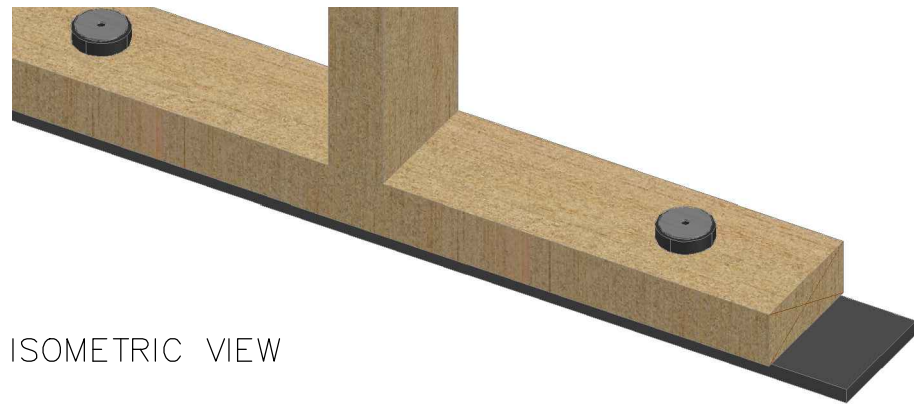


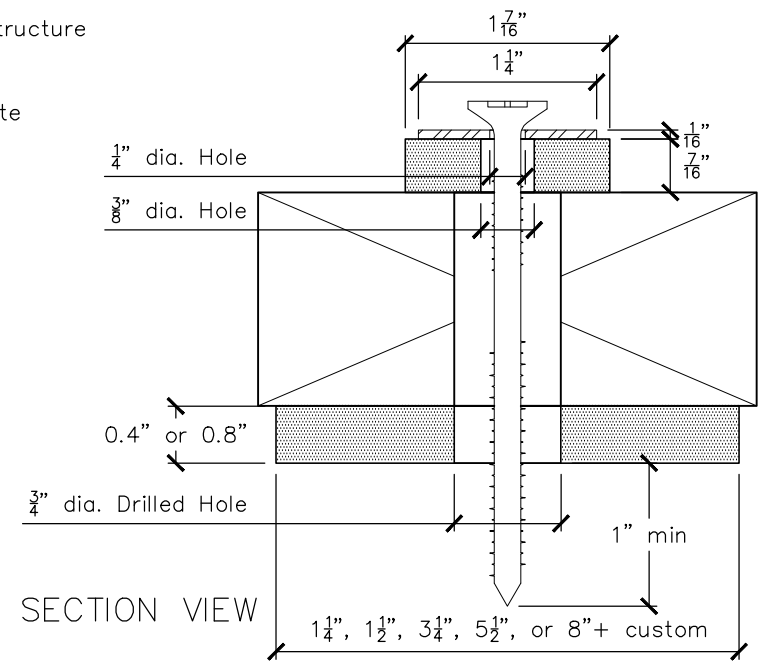
SIDE VIEW

FRONT VIEW

GenieMat™ Iso-Sill Resilient Rubber Bushing
 GenieMat™ Iso-Sill Acoustic Isolation Pad



ISOMETRIC VIEW



SECTION VIEW

PLITEQ
 Phone: (416) 449 - 0049
 Fax: (416) 849 - 0415
 1370 Don Mills Rd, Unit 300
 Toronto, ON M3B 3N7
 Canada

GENERAL NOTES:

REVISIONS:		
No.	Description:	Date:
1		
2		
3		
4		

PROJECT: Pliteq GenieMat™ Series	
DRAWING: GenieMat™ Iso-Sill	
DRAWN BY: Howard Nguyen	
DATE: 16/07/10	DWG. NO.:
SCALE: N/A	ISO01